



**Concept
Latch Lock & Hinge**

2102-76X Series Diecast Hinges

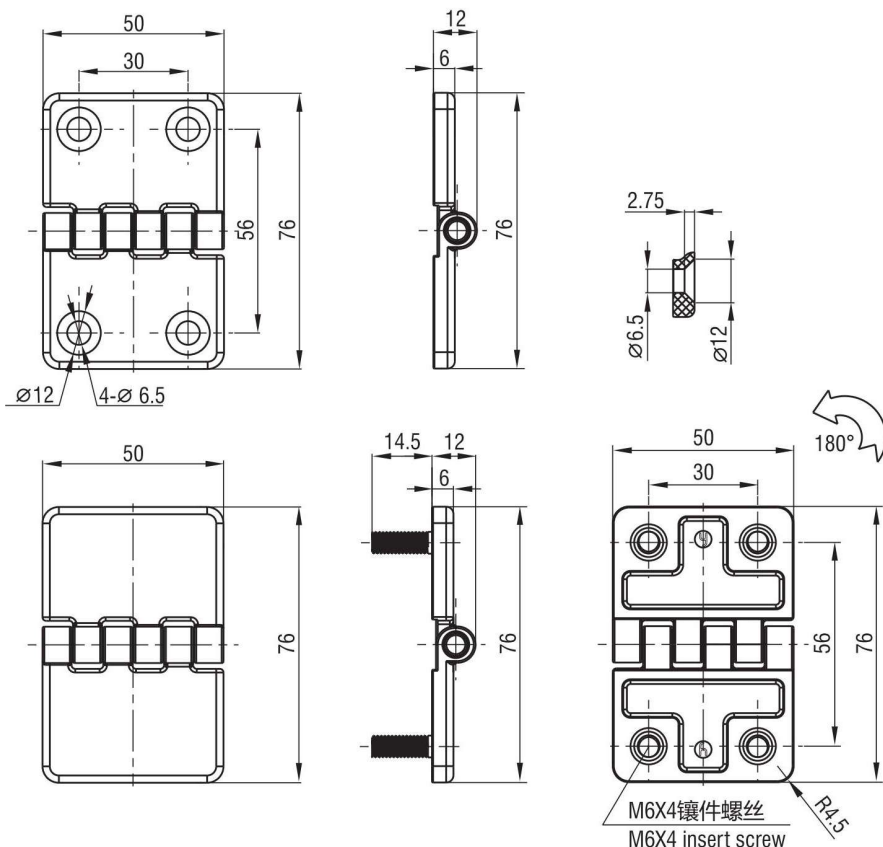
Material:

Zinc Diecast, Black Textured
Powder Coated

Dimensions:

50mm x 76mm x 6mm
M6 Countersunk holes or
M6 x 14mm Mounting studs

Pin: Stainless steel pin



Part Number: 2102-760-10

Zinc Diecast, Black powder
coated w/ holes

Part Number: 2102-760-30

Zinc Diecast, Chrome plated w/ holes

Part Number: 2102-761-10

Zinc Diecast, Black powder
coated w/ studs

Part Number: 2102-760-30

Zinc Diecast, Chrome plated w/ studs