



**Concept
Latch Lock & Hinge**

2101-576 Series Diecast Hinges

Material:

Zinc Diecast, Black Ripple
Powder Coated

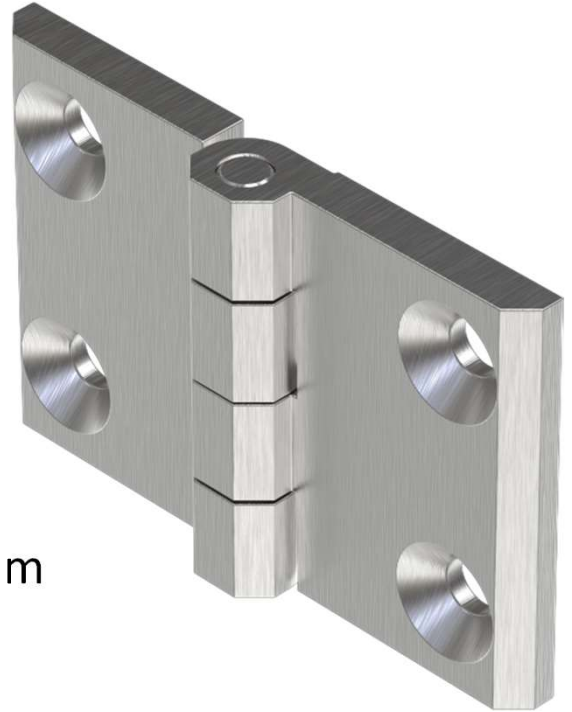
Dimensions:

50mm x 63mm x 6mm

M6 Countersunk holes or M6 x 12mm

Mounting studs

Pin: Stainless steel pin

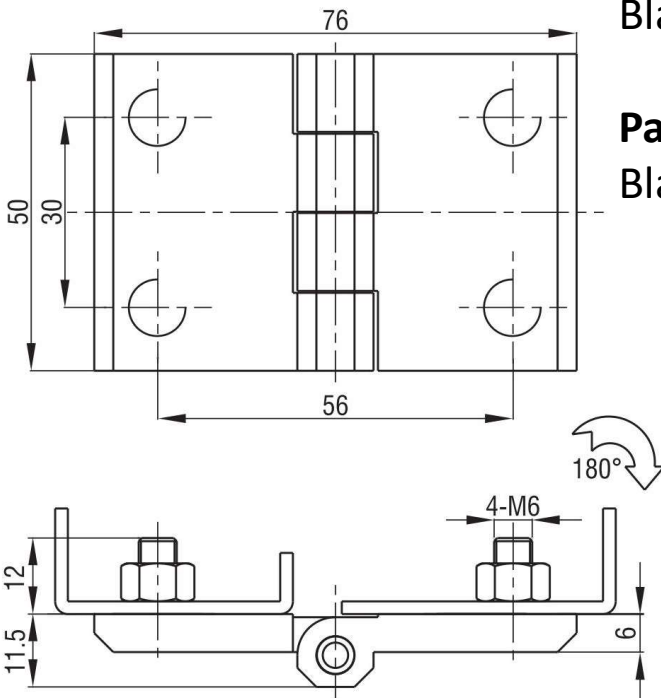


Part Number: 2101-576-20

Black powder coated w/ Countersunk holes

Part Number: 2101-5761-20

Black powder coated w/ studs



www.conceptlatch.com.au
sales@conceptlatch.com.au
03 9388 2551