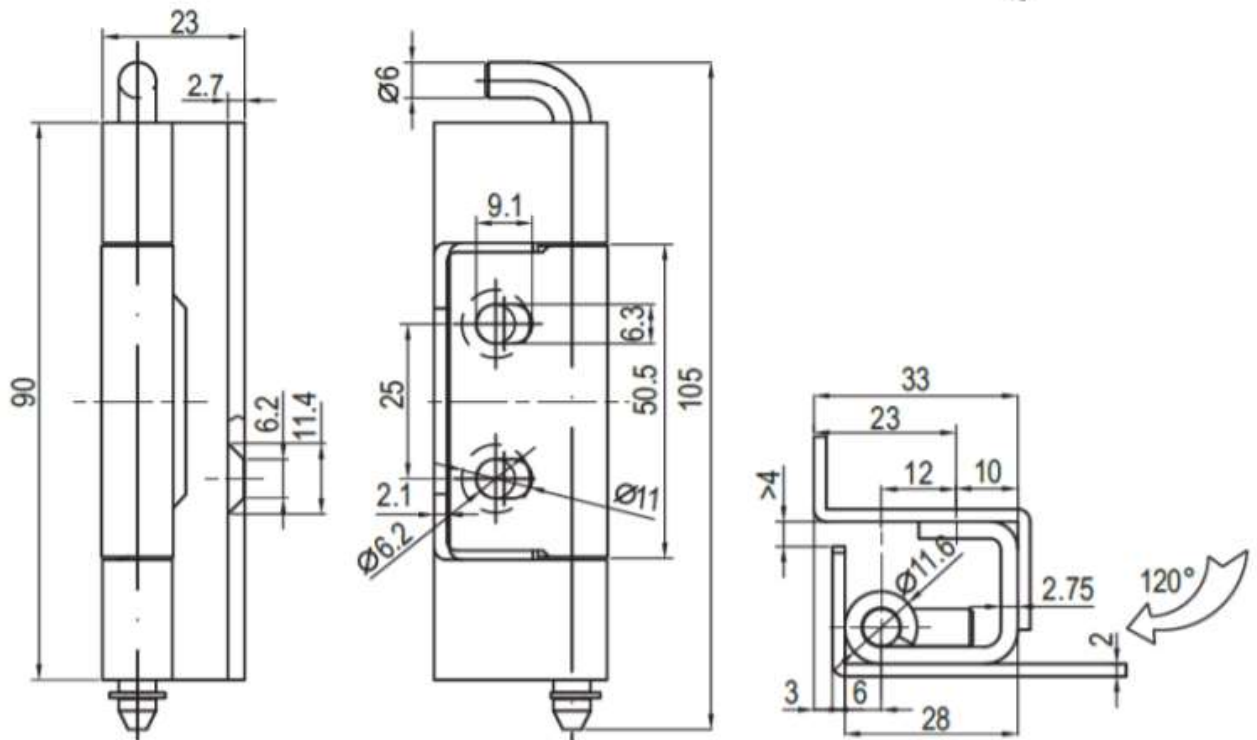


Concealed Hinge 2408

- Zinc plated or stainless steel (304)
- 120 Degree opening angle
- Screw on version
 - Zinc plated steel P/N 2408-01-01
 - Stainless steel P/N 2408-01-304



All measurements are in mm



- Version with Retained Pin; Clamping ring POM, red
 - Zinc plated steel P/N 2408-03-01
 - Stainless steel P/N 2408-03-304

